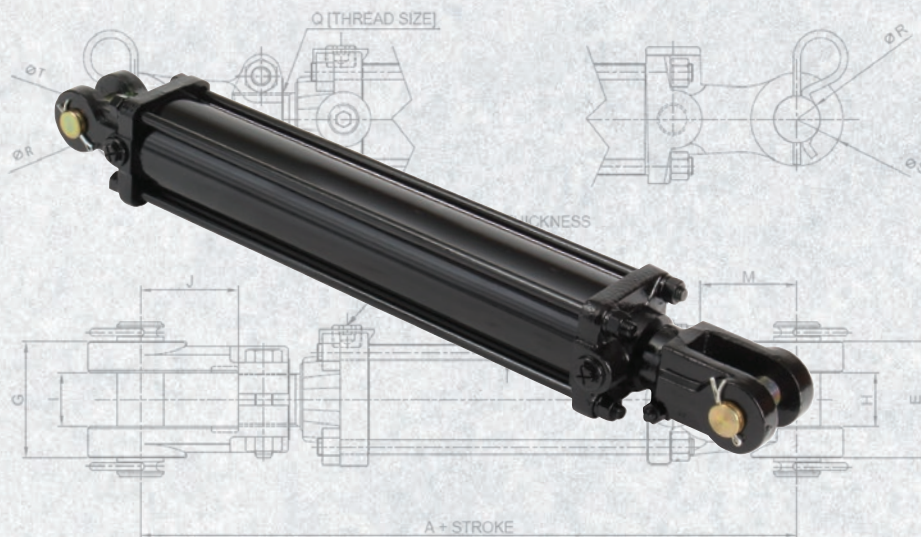


# Hydraulic Cylinders & Accessories

## Engineered for Excellence



### Series E – Tie Rod Style 3000 PSI

**Tube:** ST 52.3 - Precision Honed for maximum seal performance and long life

**Rod:** Ground / Polished & Hard Chrome Plated for extended cylinder life

**Threaded Rod Clevis:** 80-55-06 Ductile for increased strength and durability

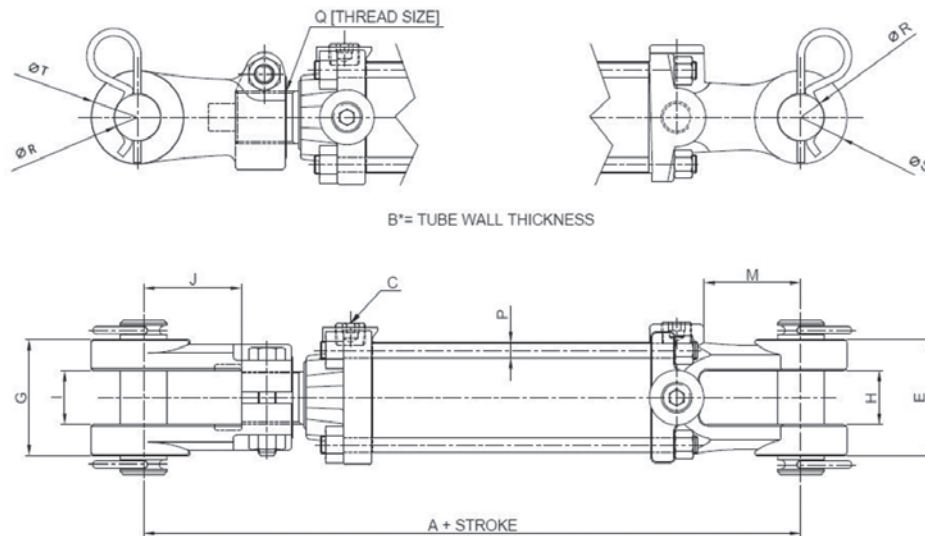
- Cylinders come with pins and clips
- 3000 PSI models come standard with SAE (ORB) ports
- Economical design for light to medium duty applications
- Flexible port locations allow for ease of mounting



# Hydraulic Cylinders & Accessories

## Series E – Tie Rod Style

BORE	2.00	2.50	3.00	3.50	4.00	5.00
A ASAE-8	10.25	10.25	10.25	10.25	10.25	10.25
A ASAE-16	15.50	15.50	15.50	15.50	15.50	15.50
A	10.25	10.25	10.25	10.25	10.25	12.25
B*	0.19	0.19	0.19	0.19	0.25	0.31
C	SAE 8	SAE 8	SAE 8	SAE 8	SAE 8	SAE 12
E	2.50	2.50	2.50	2.60	2.66	2.88
G	2.50	2.50	2.72	2.72	2.72	2.95
H,I	1.16	1.16	1.16	1.16	1.16	1.20
J	2.13	2.13	2.13	2.13	2.13	2.13
M	2.00	2.00	2.00	2.00	2.00	2.12
P	0.35	0.35	0.43	0.50	0.57	0.72
Q	1 1/8-12 UNF	1 1/8-12 UNF	1 1/4-12 UNF	1 1/4-12 UNF	1 1/4-12 UNF	1 1/2-12 UNF
R	1.00	1.00	1.00	1.00	1.00	1.25
S	2.00	2.00	2.13	2.26	2.50	2.75
T	2.00	2.00	2.25	2.25	2.25	2.75



## Engineered for Excellence

*"We are committed to succeeding in today's increasingly challenging marketplace by responding to each varied and dynamic individual customer requirement with an exclusive and custom tailored solution."*