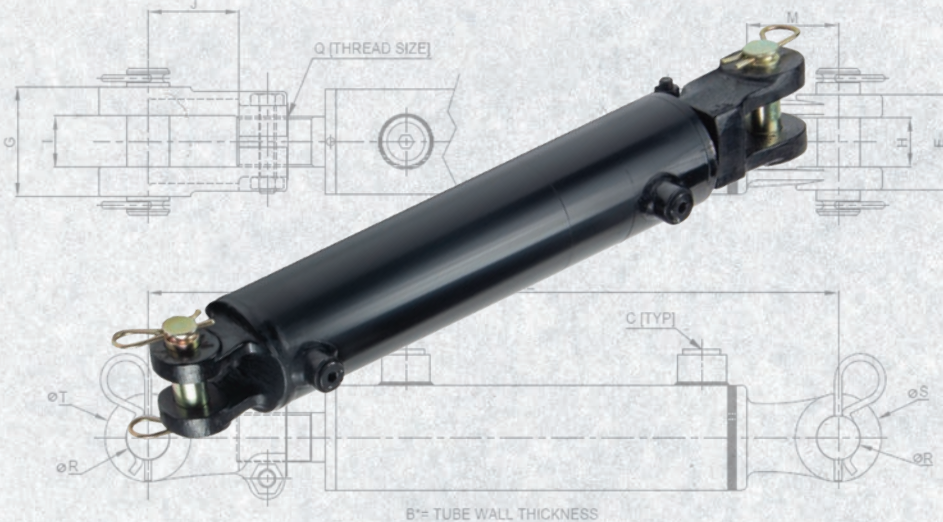


Hydraulic Cylinders & Accessories

Engineered for Excellence



Series D – Threaded Clevis Style 3000 PSI

Tube: ST 52.3 - Precision Honed for maximum seal performance and long life

Rod: Ground / Polished & Hard Chrome Plated for extended cylinder life

Threaded Rod Clevis: 80-55-06 Ductile for increased strength and durability

Rod Seal: Polyurethane Double Lip Design for lower friction / increased stability and positive sealing

Wiper: Polyurethane - Pressure Relief Ribs prevent pressure trapping

Piston Seal: Tough 92 A Polyurethane 775 Style face seal

- Providing excellent wear resistance
- High Extrusion resistance
- Tolerant to contamination
- Pre-loaded to ensure low pressure capabilities
- Suitable for single acting operation

Delavan Series D cylinders come standard with wear rings to protect from metal to metal contact caused by side loading or misalignment. Wear rings provide a consistent clearance gap for seals ensuring predictable operation and longer life.

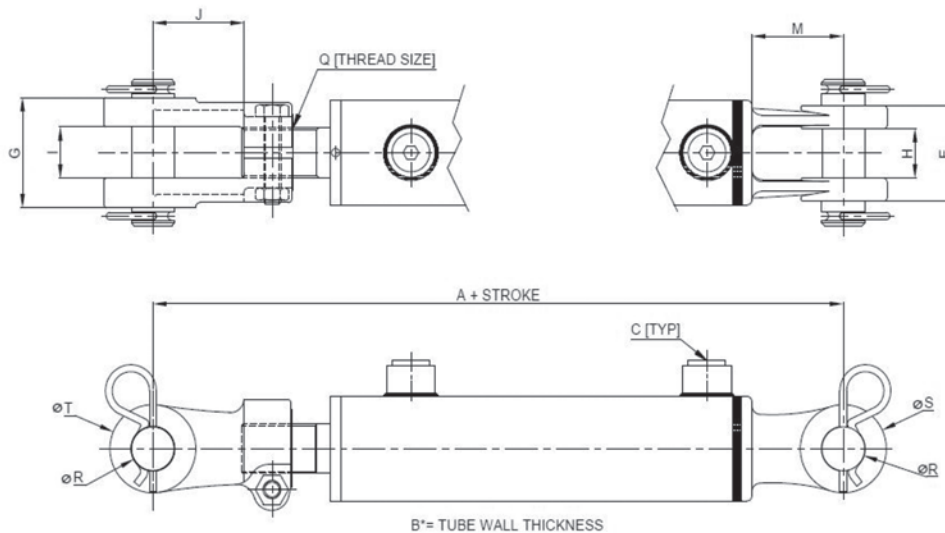
Threaded Clevis Mounts fit a wide range of agricultural and mobile applications and closely interchange with most implement mountings.



Hydraulic Cylinders & Accessories

Series D – Threaded Clevis Style

BORE	2.00	2.50	3.00	3.50	4.00	5.00
A	10.25	10.25	10.25	10.25	10.25	12.25
B*	0.188	0.188	0.188	0.188	0.25	0.31
C	SAE #8	SAE #8	SAE #8	SAE #8	SAE #8	SAE #12
E	2.165	2.386	2.386	2.75	2.75	2.39
G	2.5	2.5	2.717	2.717	2.717	2.95
H	1.126	1.125	1.125	1.125	1.125	1.31
I	1.165	1.165	1.165	1.125	1.165	1.31
J	2.126	2.126	2.126	2.125	2.126	2.12
M	2.125	1.75	1.75	1.75	3	2
Q	1.125"-12 UNF	1.125"-12 UNF	1.25"-12 UNF	1.25"-12 UNF	1.25"-12 UNF	1.5"-12 UNF
R	1	1	1	1	1	1.25
S	2	2	2.25	2.5	2.5	2.75
T	2	2	2.264	2.264	2.264	2.75



Engineered for Excellence

"We are committed to succeeding in today's increasingly challenging marketplace by responding to each varied and dynamic individual customer requirement with an exclusive and custom tailored solution."