

Hydraulic Cylinders & Accessories

Engineered for Excellence



Series C—Welded Clevis Style 3000 PSI

Tube: ST 52.3 - Precision Honed for maximum seal performance and long life

Rod: Ground / Polished & Hard Chrome Plated for extended cylinder life

Rod Seal: Polyurethane Double Lip Design for lower friction / increased stability and positive sealing

Wiper: Polyurethane - Pressure Relief Ribs prevent pressure trapping

Piston Seal: Tough 92 A Polyurethane 775 Style face seal

- Providing excellent wear resistance
- High Extrusion resistance
- Tolerant to contamination
- Pre-loaded to ensure low pressure capabilities
- Suitable for single acting operation

Delavan Series C cylinders come standard with wear rings to protect from metal to metal contact caused by side loading or misalignment. Wear rings provide a consistent clearance gap for seals ensuring predictable operation and longer life expectancy.

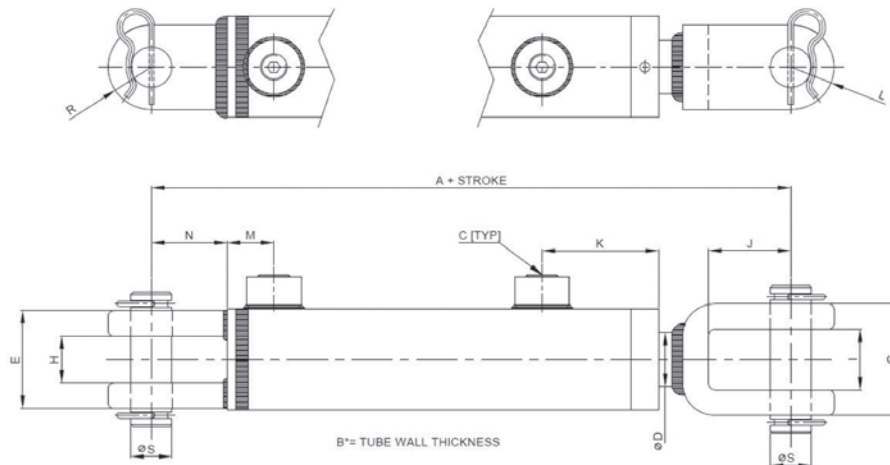
Welded Clevis Mounts fit a wide range of agricultural and mobile applications.



Hydraulic Cylinders & Accessories

Series C—Welded Clevis Style

BORE	1.50	2.00	2.50	3.00	3.50	4.00	5.00
A	10.25	10.25	10.25	10.25	10.25	10.25	12.25
B*	0.19	0.19	0.19	0.19	0.19	0.25	0.31
C	SAE #6	SAE#8	SAE#8	SAE#8	SAE#8	SAE#8	SAE#8
D	1.00	1.25	1.50	1.50	1.75	2.00	2.50
E	2.07	2.13	2.13	2.13	2.39	2.39	2.39
G	2.07	2.13	2.13	2.13	2.39	2.39	2.39
H	1.13	1.14	1.14	1.14	1.13	1.13	1.13
I	1.13	1.14	1.14	1.14	1.13	1.13	1.13
J	1.50	2.13	2.13	2.13	2.13	2.13	2.00
K	2.13	1.88	2.00	2.09	2.31	2.13	2.50
L	0.79	1.00	1.00	1.00	1.25	1.25	1.38
M	0.85	1.04	1.04	1.25	1.31	1.50	1.50
N	1.50	2.00	2.00	2.37	2.13	2.13	2.00
R	0.79	1.00	1.00	1.00	1.25	1.25	1.38
S	0.75	1.00	1.00	1.00	1.00	1.00	1.00



Engineered for Excellence

"We are committed to succeeding in today's increasingly challenging marketplace by responding to each varied and dynamic individual customer requirement with an exclusive and custom tailored solution."