

P	STEEL PLUG	3			
N	HEX.NUT	8			
M	NYLOC NUT (RC)	1			
L	HEX. BOLT	1			
K	NYLOC NUT	1			
J	R-CLIP	4			
H	TIE ROD	4			
G	CLEVIS PIN	2			
F	ROD CLEVIS	1			
E	GLAND	1	5	O-RING (GLAND & EC)	2
D	END CLEVIS	1	4	PISTON SEAL	1
C	PISTON	1	3	O-RING (PISTON)	1
B	PISTON ROD	1	2	ROD SEAL	1
A	TUBE	1	1	WIPER SEAL	1
Sno.	DESCRIPTION	QTY	Sno.	SEAL DETAILS	QTY

DELAN

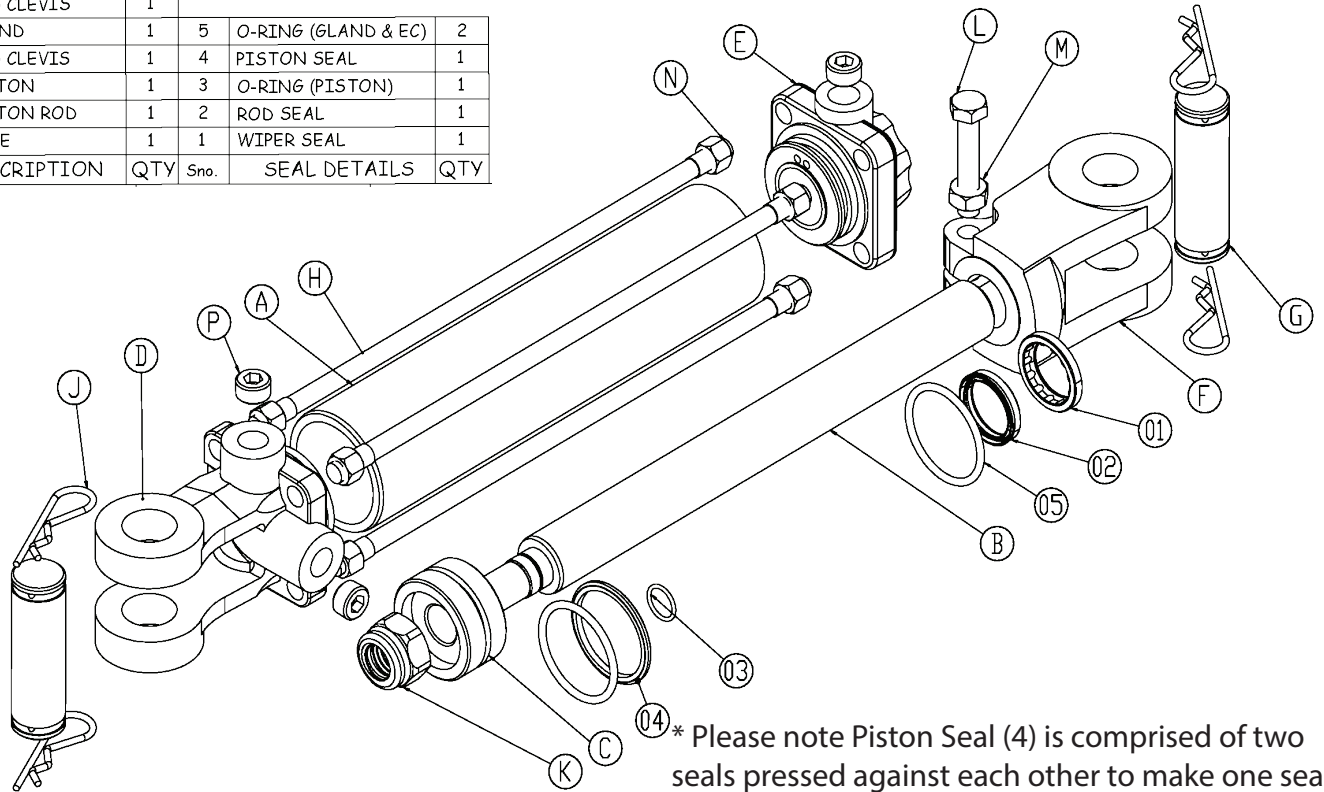
PowerMAX

Hydraulics

FLUID POWER

ESR-029-Rev. 2

PML SERIES Tie-Rod Cylinders Seal Location and Descriptions



* Please note Piston Seal (4) is comprised of two seals pressed against each other to make one seal.

PML 2.0" x 1.125" SEAL KITS		
Seals	Qty	Dimensions
WIPER SEAL	1	Gro ID 1.5" / 1.375" X 0.187" / 0.281" Width
ROD SEAL	1	Groove ID 1.375" X 0.275" Width
PISTON SEAL	1	ID 1.691 x 0.129 THK
GLAND 'O' RING	2	OD 2 " x 1/8" THK
PISTON ROD 'O' RING	1	ID 5/8" x 1/16" THK

PML 2.5" x 1.125" SEAL KITS		
Seals	Qty	Dimensions
WIPER SEAL	1	Gro ID 1.5" / 1.375" X 0.187" / 0.281" Width
ROD SEAL	1	Groove ID 1.375" X 0.275" Width
PISTON SEAL	1	ID 2.91 x 0.129 THK
GLAND 'O' RING	2	OD 2.5 " x 1/8" THK
PISTON ROD 'O' RING	1	ID 11/16" x 1/16" THK

PML 2.5" x 1.25" SEAL KITS		
Seals	Qty	Dimensions
WIPER SEAL	1	Gro ID 1.625" / 1.5" X 0.187" / 0.281" Width
ROD SEAL	1	Groove ID 1.5" X 0.275" Width
PISTON SEAL	1	ID 2.91 x 0.129 THK
GLAND 'O' RING	2	OD 2.5 " x 1/8" THK
PISTON ROD 'O' RING	1	ID 11/16" x 1/16" THK

PML 3.0" x 1.5" SEAL KITS		
Seals	Qty	Dimensions
WIPER SEAL	1	Gro ID 1.875" / 1.75" X 0.187" / 0.281" Width
ROD SEAL	1	Groove ID 1.75" X 0.275" Width
PISTON SEAL	1	ID 2.462 x 0.283 THK
GLAND 'O' RING	2	OD 3 " x 1/8" THK
PISTON ROD 'O' RING	1	ID 15/16" x 1/16" THK

PML 3.5" x 1.25" SEAL KITS		
Seals	Qty	Dimensions
WIPER SEAL	1	Gro ID 1.625" / 1.5" X 0.187" / 0.281" Width
ROD SEAL	1	Groove ID 1.5" X 0.275" Width
PISTON SEAL	1	ID 2.962 x 0.283 THK
GLAND 'O' RING	2	OD 3.5 " x 1/8" THK
PISTON ROD 'O' RING	1	ID 15/16" x 1/16" THK

PML 3.5" x 1.5" SEAL KITS		
Seals	Qty	Dimensions
WIPER SEAL	1	Gro ID 1.875" / 1.75" X 0.187" / 0.281" Width
ROD SEAL	1	Groove ID 1.75" X 0.275" Width
PISTON SEAL	1	ID 2.962 x 0.283 THK
GLAND 'O' RING	2	OD 3.5 " x 1/8" THK
PISTON ROD 'O' RING	1	ID 1 1/16" x 1/16" THK

PML 4.0" x 1.25" SEAL KITS		
Seals	Qty	Dimensions
WIPER SEAL	1	Gro ID 1.625" / 1.5" X 0.187" / 0.281" Width
ROD SEAL	1	Groove ID 1.5" X 0.275" Width
PISTON SEAL	1	ID 3.462 x 0.283 THK
GLAND 'O' RING	2	OD 4 " x 1/8" THK
PISTON ROD 'O' RING	1	ID 15/16" x 1/16" THK

PML 4.0" x 1.5" SEAL KITS		
Seals	Qty	Dimensions
WIPER SEAL	1	Gro ID 1.875" / 1.75" X 0.187" / 0.281" Width
ROD SEAL	1	Groove ID 1.75" X 0.275" Width
PISTON SEAL	1	ID 2.962 x 0.283 THK
GLAND 'O' RING	2	OD 4 " x 1/8" THK
PISTON ROD 'O' RING	1	ID 1 3/16" x 1/16" THK

PML 4.0" x 1.75" SEAL KITS		
Seals	Qty	Dimensions
WIPER SEAL	1	Gro ID 2.125" / 2.0" X 0.187" / 0.281" Width
ROD SEAL	1	Groove ID 2.125" X 0.413" Width
PISTON SEAL	1	ID 3.462 x 0.283 THK
GLAND 'O' RING	2	OD 4 " x 1/8" THK
PISTON ROD 'O' RING	1	ID 1 3/16" x 1/16" THK

PML 4.0" x 2.0" SEAL KITS		
Seals	Qty	Dimensions
WIPER SEAL	1	Gro ID 2.5" / 2.332" X 0.25" / 0.375" Width
ROD SEAL	1	Groove ID 2.375" X 0.413" Width
PISTON SEAL	1	ID 3.462 x 0.283 THK
GLAND 'O' RING	2	OD 4 " x 1/8" THK
PISTON ROD 'O' RING	1	ID 1 3/16" x 1/16" THK