

P	Steel Plug	3
N	Hex Nut	8
M	Hex Bolt	1
L	Hex Bolt	1
K	Nyloc Nut	1
J	R-Clip	4
H	Tie-Rod	4

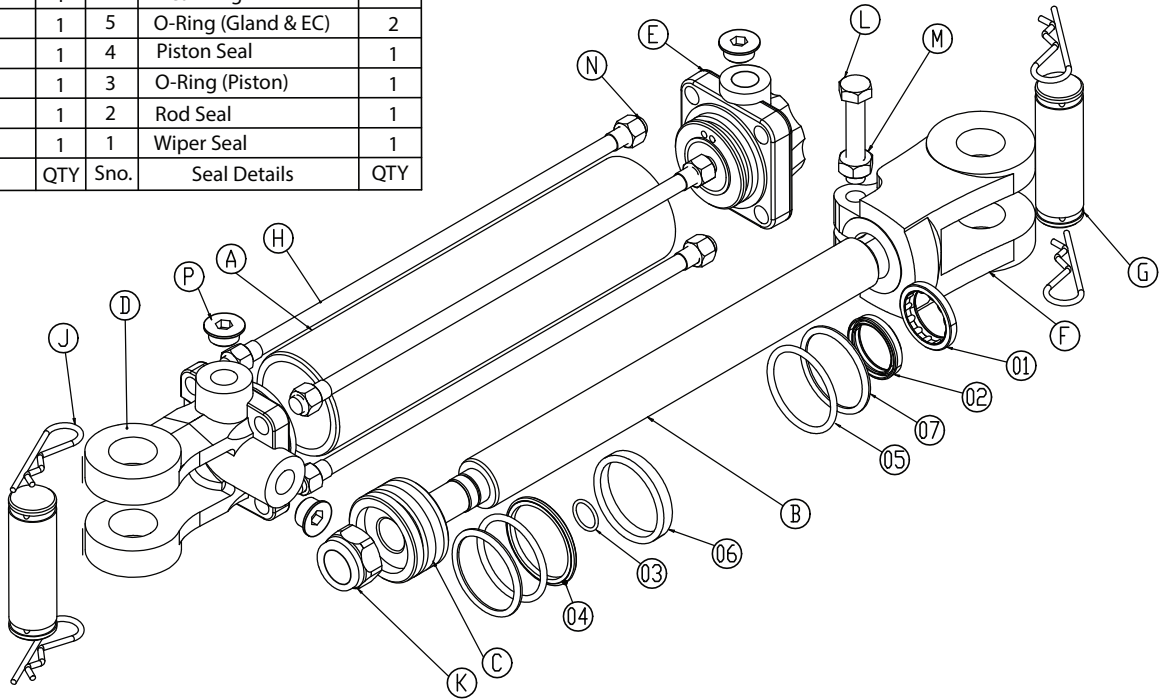
# DELAVAL

## FLUID POWER

**PowerMAX**  
Hydraulics

### PMH SERIES Tie-Rod Cylinders Seal Location and Descriptions

G	Clevis Pin	2	7	Back-up Ring	2
F	Rod Clevis	1	6	Wear Ring	1
E	Gland	1	5	O-Ring (Gland & EC)	2
D	End Clevis	1	4	Piston Seal	1
C	Piston	1	3	O-Ring (Piston)	1
B	Piston Rod	1	2	Rod Seal	1
A	Tube	1	1	Wiper Seal	1
Sno.	Description	QTY	Sno.	Seal Details	QTY



PMH 2.0" x 1.125" SEAL KITS			PMH 3.0" x 1.25" SEAL KITS			PMH 3.5" x 1.5" SEAL KITS		
Seals	Qty	Dimensions	Seals	Qty	Dimensions	Seals	Qty	Dimensions
WIPER SEAL	1	Gro ID 1.5" / 1.375" X 0.187" / 0.281" Width	WIPER SEAL	1	Gro ID 1.625" / 1.5" X 0.187" / 0.281" Width	WIPER SEAL	1	Gro ID 1.875" / 1.75" X 0.187" / 0.281" Width
ROD SEAL	1	Groove ID 1.375" X 0.275" Width	ROD SEAL	1	Groove ID 1.5" X 0.275" Width	ROD SEAL	1	Groove ID 1.75" X 0.275" Width
PISTON SEAL	1	ID 1.691 x 0.129 THK	PISTON SEAL	1	ID 2.462 x 0.283 THK	PISTON SEAL	1	ID 2.962 x 0.283 THK
GLAND 'O' RING	2	OD 2" x 1/8" THK	BACK UP RING	2	OD 3" x 1/16" THK	BACK UP RING	2	OD 3.5" x 1/16" THK
BACK UP RING	2	OD 2" x 1/16" THK	PISTON WEAR RING	1	ID 2.75" X 0.25"	PISTON WEAR RING	1	ID 3.25" X 0.25" THK
PISTON WEAR RING	1	ID 1.75" X 0.25"	GLAND 'O' RING	2	OD 3" x 1/8" THK	GLAND 'O' RING	2	OD 3.5" x 1/8" THK
PISTON ROD 'O' RING	1	ID 5/8" x 1/16" THK	PISTON ROD 'O' RING	1	ID 15/16" x 1/16" THK	PISTON ROD 'O' RING	1	ID 1 1/16" x 1/16" THK
PMH 2.5" x 1.125" SEAL KITS			PMH 3.0" x 1.5" SEAL KITS			PMH 4.0" x 1.25" SEAL KITS		
Seals	Qty	Dimensions	Seals	Qty	Dimensions	Seals	Qty	Dimensions
WIPER SEAL	1	Gro ID 1.5" / 1.375" X 0.187" / 0.281" Width	WIPER SEAL	1	Gro ID 1.875" / 1.75" X 0.187" / 0.281" Width	WIPER SEAL	1	Gro ID 1.625" / 1.5" X 0.187" / 0.281" Width
ROD SEAL	1	Groove ID 1.375" X 0.275" Width	ROD SEAL	1	Groove ID 1.75" X 0.275" Width	ROD SEAL	1	Groove ID 1.5" X 0.275" Width
PISTON SEAL	1	ID 2.91 x 0.129 THK	PISTON SEAL	1	ID 2.462 x 0.283 THK	PISTON SEAL	1	ID 3.462 x 0.283 THK
GLAND 'O' RING	2	OD 2.5" x 1/8" THK	BACK UP RING	2	OD 3" x 1/16" THK	GLAND 'O' RING	2	OD 4" x 1/8" THK
BACK UP RING	2	OD 2.5" x 1/16" THK	PISTON WEAR RING	1	ID 2.75" X 0.25"	BACK UP RING	2	OD 4" x 1/16" THK
PISTON WEAR RING	1	ID 2.25" X 0.25"	GLAND 'O' RING	2	OD 3" x 1/8" THK	PISTON WEAR RING	1	ID 3.75" X 0.25" THK
PISTON ROD 'O' RING	1	ID 11/16" x 1/16" THK	PISTON ROD 'O' RING	1	ID 15/16" x 1/16" THK	PISTON ROD 'O' RING	1	ID 15/16" x 1/16" THK
PMH 2.5" x 1.25" SEAL KITS			PMH 3.5" x 1.25" SEAL KITS			PMH 4.0" x 1.5" SEAL KITS		
Seals	Qty	Dimensions	Seals	Qty	Dimensions	Seals	Qty	Dimensions
WIPER SEAL	1	Gro ID 1.625" / 1.5" X 0.187" / 0.281" Width	WIPER SEAL	1	Gro ID 1.625" / 1.5" X 0.187" / 0.281" Width	WIPER SEAL	1	Gro ID 1.875" / 1.75" X 0.187" / 0.281" Width
ROD SEAL	1	Groove ID 1.5" X 0.275" Width	ROD SEAL	1	Groove ID 1.5" X 0.275" Width	ROD SEAL	1	Groove ID 1.75" X 0.275" Width
PISTON SEAL	1	ID 2.91 x 0.129 THK	PISTON SEAL	1	ID 2.962 x 0.283 THK	PISTON SEAL	1	ID 2.962 x 0.283 THK
BACK UP RING	2	OD 2.5" x 1/16" THK	BACK UP RING	2	OD 3.5" x 1/16" THK	GLAND 'O' RING	2	OD 4" x 1/8" THK
PISTON WEAR RING	1	ID 2.25" X 0.25"	PISTON WEAR RING	1	ID 3.25" X 0.25" THK	BACK UP RING	2	OD 4" x 1/16" THK
GLAND 'O' RING	2	OD 2.5" x 1/8" THK	GLAND 'O' RING	2	OD 3.5" x 1/8" THK	PISTON WEAR RING	1	ID 3.75" X 0.25" THK
PISTON ROD 'O' RING	1	ID 11/16" x 1/16" THK	PISTON ROD 'O' RING	1	ID 15/16" x 1/16" THK	PISTON ROD 'O' RING	1	ID 1 3/16" x 1/16" THK
PMH 4.0" x 1.75" SEAL KITS			PMH 4.0" x 2.0" SEAL KITS					
Seals	Qty	Dimensions	Seals	Qty	Dimensions			
WIPER SEAL	1	Gro ID 2.125" / 2.0" X 0.187" / 0.281" Width	WIPER SEAL	1	Gro ID 2.5" / 2.332" X 0.25" / 0.375" Width			
ROD SEAL	1	Groove ID 2.125" X 0.413" Width	ROD SEAL	1	Groove ID 2.375" X 0.413" Width			
PISTON SEAL	1	ID 3.462 x 0.283 THK	PISTON SEAL	1	ID 3.462 x 0.283 THK			
GLAND 'O' RING	2	OD 4" x 1/8" THK	GLAND 'O' RING	2	OD 4" x 1/8" THK			
BACK UP RING	2	OD 4" x 1/16" THK	BACK UP RING	2	OD 4" x 1/16" THK			
PISTON WEAR RING	1	ID 3.75" X 0.25" THK	PISTON WEAR RING	1	ID 3.75" X 0.25" THK			
PISTON ROD 'O' RING	1	ID 1 3/16" x 1/16" THK	PISTON ROD 'O' RING	1	ID 1 3/16" x 1/16" THK			